

2. Specifications

2.1 Specification Sheet

Model			SOH09BO-E32DA4A
Product Code			CB479000800
Power Supply	Rated Voltage	V~	220-240
	Rated Frequency	Hz	50
	Phases		1
Power Supply Mode			Outdoor
Cooling Capacity		W	2500
Heating Capacity		W	2800
Cooling Power Input		W	781
Heating Power Input		W	777
Cooling Power Current		A	3.99
Heating Power Current		A	3.74
Rated Input		W	1500
Rated Current		A	6.3
Rated Heating Current		A	6.9
Air Flow Volume(SH/H/M/L/SL)		m ³ /h	550/500/430/300/-
Dehumidifying Volume		L/h	0.8
EER		W/W	3.20
COP		W/W	3.60
SEER		W/W	6.1
HSPF		W/W	/
Application Area		m ²	12-18
Indoor Unit	Indoor Unit Model		SOH09BO-E32DA4A/I
	Indoor Unit Product Code		CB479N00800
	Fan Type		Cross-flow
	Diameter Length(DXL)	mm	Φ93X580
	Fan Motor Cooling Speed(SH/H/M/L/SL)	r/min	1300/1200/1100/850/-
	Fan Motor Heating Speed(SH/H/M/L/SL)	r/min	1250/1150/1050/900/-
	Output of Fan Motor	W	20
	Fan Motor RLA	A	0.22
	Fan Motor Capacitor	μF	1
	Input of Heater	W	/
	Evaporator Form		Aluminum Fin-copper Tube
	Pipe Diameter	mm	Φ5
	Row-fin Gap	mm	2-1.4
	Coil Length (LXDXW)	mm	584X22.8X266.7
	Swing Motor Model		MP24AN
	Output of Swing Motor	W	1.5
	Fuse	A	3.15
	Sound Pressure Level (SH/H/M/L/SL)	dB (A)	40/37/35/28/-
	Sound Power Level (SH/H/M/L/SL)	dB (A)	55/49/47/40/-
	Dimension (WXHxD)	mm	773X250X185
	Dimension of Carton Box (LXWXH)	mm	817X306X244
Dimension of Package (LXWXH)	mm	822X322X255	
Net Weight	kg	8.5	
Gross Weight	kg	9.5	

Outdoor Unit	Model of Outdoor Unit		SOH09BO-E32DA4A/O
	Product Code of Outdoor Unit		CB478W00200
	Compressor Manufacturer/Trademark		ZHUHAI LANDA COMPRESSOR CO.,LTD
	Compressor Model		QXF-B096zE190A
	Compressor Oil		FW68DA
	Compressor Type		Rotary
	L.R.A.	A	20
	Compressor RLA	A	4.21
	Compressor Power Input	W	943
	Overload Protector		1NT11L-6233 HPC115/95U1 KSD115°C
	Throttling Method		Capillary
	Operation Temp	°C	16~30
	Ambient Temp (Cooling)	°C	-15~43
	Ambient Temp (Heating)	°C	-15~24
	Condenser Form		Aluminum Fin-copper Tube
	Pipe Diameter	mm	Φ7
	Rows-fin Gap	mm	1-1.4
	Coil Length (LXDXW)	mm	710X19.05X508
	Fan Motor Speed	rpm	900
	Output of Fan Motor	W	30
	Fan Motor RLA	A	0.36
	Fan Motor Capacitor	μF	/
	Air Flow Volume of Outdoor Unit	m ³ /h	1600
	Fan Type		Axial-flow
	Fan Diameter	mm	Φ400
	Defrosting Method		Automatic Defrosting
	Climate Type		T1
	Isolation		I
	Moisture Protection		IPX4
	Permissible Excessive Operating Pressure for the Discharge Side	MPa	4.3
Permissible Excessive Operating Pressure for the Suction Side	MPa	2.5	
Sound Pressure Level (H/M/L)	dB (A)	52/-/-	
Sound Power Level (H/M/L)	dB (A)	60/-/-	
Dimension (WXHXD)	mm	782X540X320	
Dimension of Carton Box (LXWXH)	mm	820X355X580	
Dimension of Package (LXWXH)	mm	823X358X595	
Net Weight	kg	29	
Gross Weight	kg	31.5	
Refrigerant		R32	
Refrigerant Charge	kg	0.6	
Connection Pipe	Length	m	5
	Gas Additional Charge	g/m	20
	Outer Diameter Liquid Pipe	mm	Φ6
	Outer Diameter Gas Pipe	mm	Φ9.52
	Max Distance Height	m	10
	Max Distance Length	m	15
	Note: The connection pipe applies metric diameter.		

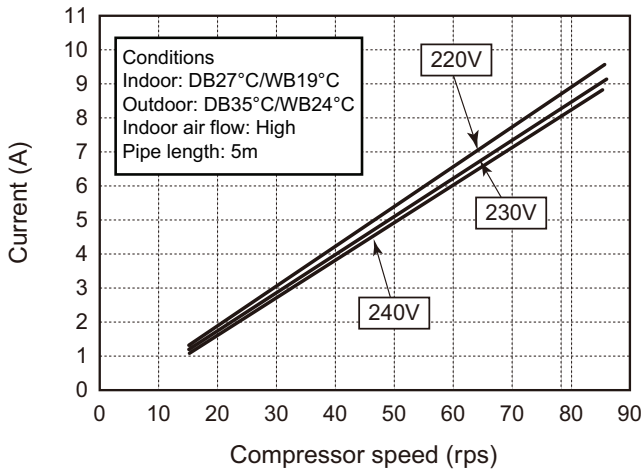
Model			SOH12BO-E32DA4A
Product Code			CB479000500/CB479000501
Power Supply	Rated Voltage	V~	220-240
	Rated Frequency	Hz	50
	Phases		1
Power Supply Mode			Outdoor
Cooling Capacity		W	3200
Heating Capacity		W	3400
Cooling Power Input		W	997
Heating Power Input		W	941
Cooling Power Current		A	4.5
Heating Power Current		A	4.4
Rated Input		W	1500
Rated Current		A	7.2
Air Flow Volume(SH/H/M/L/SL)		m ³ /h	550/480/410/290/-
Dehumidifying Volume		L/h	1.4
EER		W/W	3.21
COP		W/W	3.61
SEER		W/W	6.1
HSPF		W/W	/
Application Area		m ²	16-24
Indoor Unit	Indoor Unit Model		SOH12BO-E32DA4A/I
	Indoor Unit Product Code		CB479N00500/CB479N00501
	Fan Type		Cross-flow
	Diameter Length(DXL)		mm Φ93X580
	Fan Motor Cooling Speed(SH/H/M/L/SL)		r/min 1350/1200/1100/850/-
	Fan Motor Heating Speed(SH/H/M/L/SL)		r/min 1350/1200/1100/900/-
	Output of Fan Motor		W 20
	Fan Motor RLA		A 0.22
	Fan Motor Capacitor		μF 1
	Input of Heater		W /
	Evaporator Form		Aluminum Fin-copper Tube
	Pipe Diameter		mm Φ5
	Row-fin Gap		mm 2-1.4
	Coil Length (LXD _X W)		mm 584X22.8X266.7
	Swing Motor Model		MP24AN
	Output of Swing Motor		W 1.5
	Fuse		A 3.15
	Sound Pressure Level (SH/H/M/L/SL)		dB (A) 42/37/34/28/-
	Sound Power Level (SH/H/M/L/SL)		dB (A) 55/49/46/40/-
	Dimension (WXHXD)		mm 773X250X185
	Dimension of Carton Box (LXWXH)		mm 817X306X244
	Dimension of Package (LXWXH)		mm 822X322X255
	Net Weight		kg 8.5
Gross Weight		kg 9.5	

Outdoor Unit	Model of Outdoor Unit		SOH12BO-E32DA4A/O	
	Product Code of Outdoor Unit		CB478W00100	
	Compressor Manufacturer/Trademark		ZHUHAI LANDA COMPRESSOR CO., LTD	
	Compressor Model		QXF-B096zE190A	
	Compressor Oil		FW68DA	
	Compressor Type		Rotary	
	L.R.A.	A		20
	Compressor RLA	A		4.21
	Compressor Power Input	W		943
	Overload Protector			1NT11L-6233 HPC115/95U1 KSD115°C
	Throttling Method			Capillary
	Operation Temp	°C		16~30
	Ambient Temp (Cooling)	°C		-15~43
	Ambient Temp (Heating)	°C		-15~24
	Condenser Form			Aluminum Fin-copper Tube
	Pipe Diameter	mm		Φ7.94
	Rows-fin Gap	mm		1-1.4
	Coil Length (LXDXW)	mm		731X19.05X550
	Fan Motor Speed	rpm		900
	Output of Fan Motor	W		30
	Fan Motor RLA	A		0.36
	Fan Motor Capacitor	μF		/
	Air Flow Volume of Outdoor Unit	m ³ /h		2200
	Fan Type			Axial-flow
	Fan Diameter	mm		Φ438
	Defrosting Method			Automatic Defrosting
	Climate Type			T1
	Isolation			I
	Moisture Protection			IPX4
	Permissible Excessive Operating Pressure for the Discharge Side	MPa		4.3
	Permissible Excessive Operating Pressure for the Suction Side	MPa		2.5
	Sound Pressure Level (H/M/L)	dB (A)		52/-/-
Sound Power Level (H/M/L)	dB (A)		62/-/-	
Dimension (WXHXD)	mm		842X596X320	
Dimension of Carton Box (LXWXH)	mm		878X360X630	
Dimension of Package (LXWXH)	mm		881X363X645	
Net Weight	kg		31	
Gross Weight	kg		34	
Refrigerant			R32	
Refrigerant Charge	kg		0.65	
Connection Pipe	Length	m	5	
	Gas Additional Charge	g/m	20	
	Outer Diameter Liquid Pipe	mm	Φ6	
	Outer Diameter Gas Pipe	mm	Φ9.52	
	Max Distance Height	m	10	
	Max Distance Length	m	20	
	Note: The connection pipe applies metric diameter.			

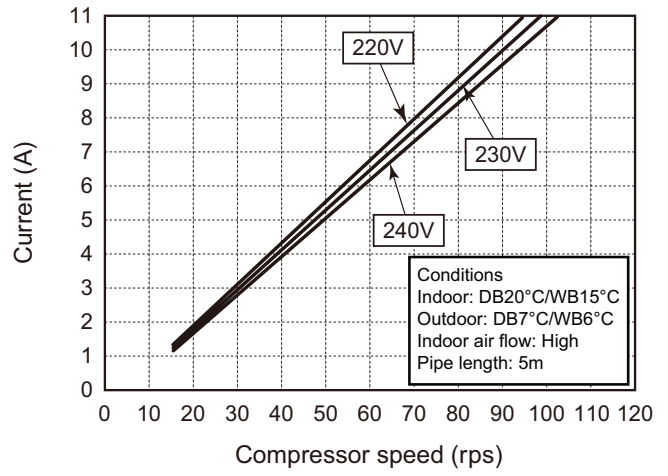
The above data is subject to change without notice; please refer to the nameplate of the unit.

2.2 Operation Characteristic Curve

Cooling



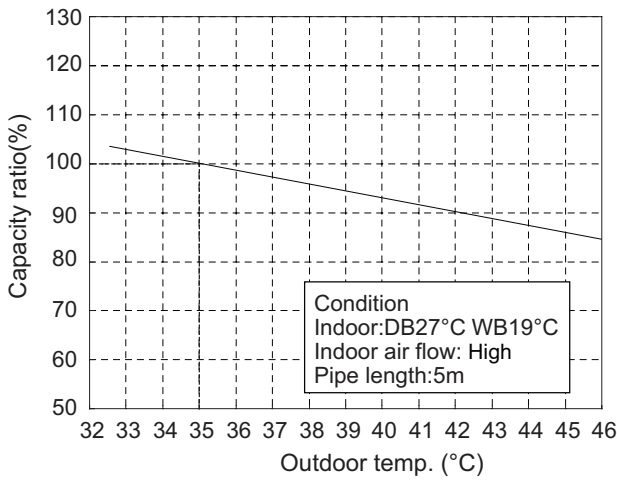
Heating



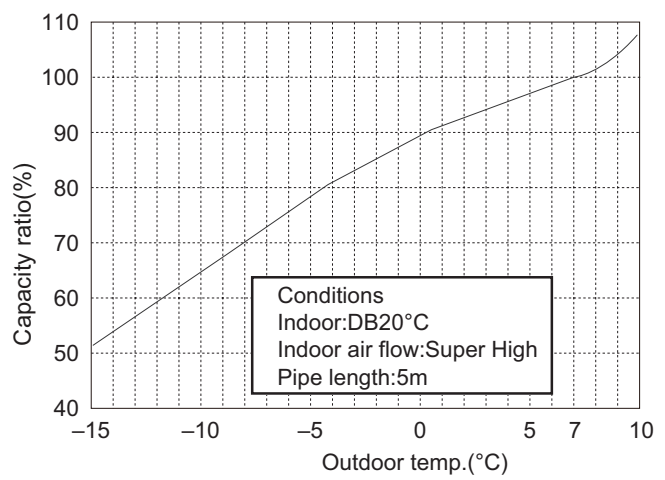
2.3 Capacity Variation Ratio According to Temperature

Heating operation ambient temperature range is -15°C~24°C

Cooling

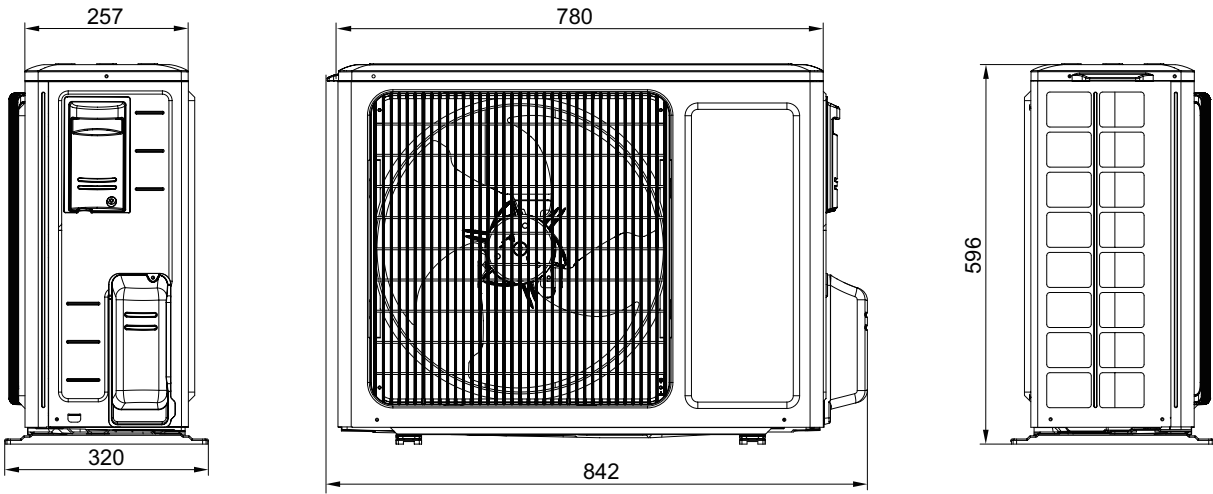


Heating

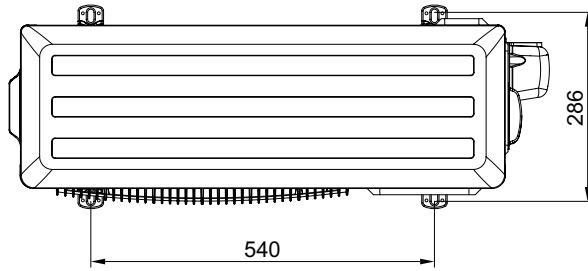


3.2 Outdoor Unit

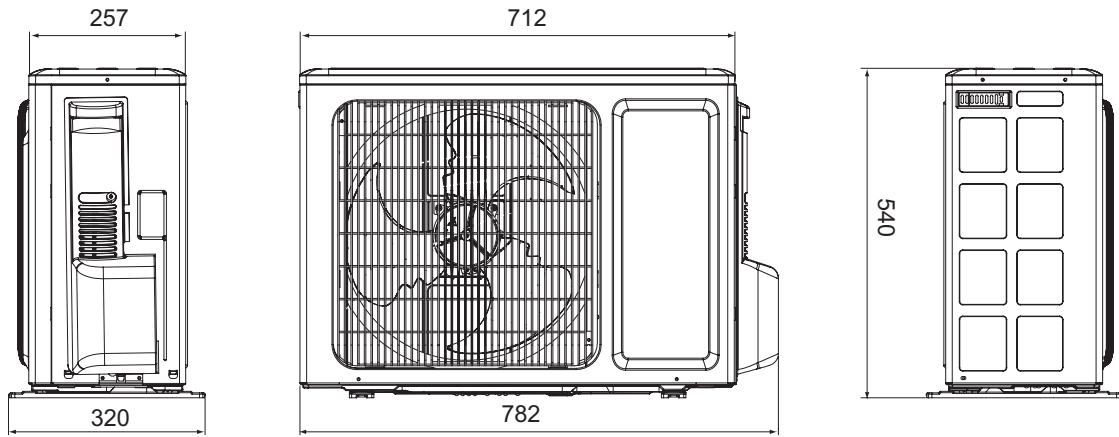
12K



Unit:mm



09K



Unit:mm

